



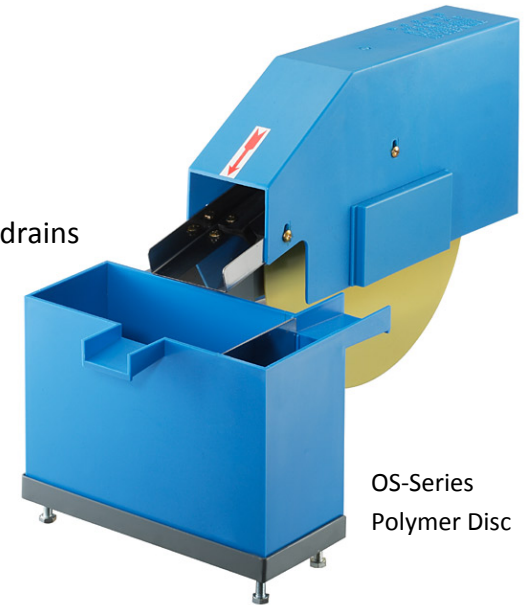
SS-Series  
Stainless Steel Disc

### Premium Oil Skimmer:

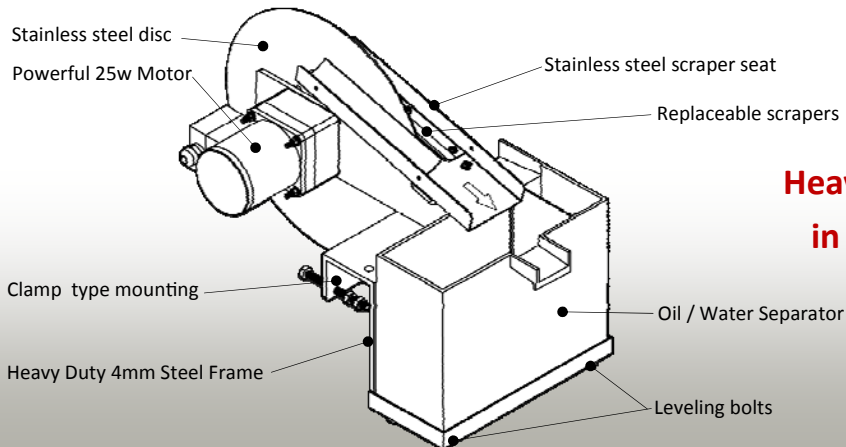
Heavy duty oil skimmers built for longevity and reliability. Both models are equipped with an oil/water separator tank, stainless steel scraper seat and replaceable scrapers. We offer both clamping or fixed mounting as well in single or three phase power.

Oil/water separating tank removes floating oil and clean coolant drains back to coolant tank.

Model	Disc Diameter	Stock Number	Remarks
SS-30	300mm (Stainless)	711-001F0030	Heavy duty stainless-steel disc
SS-40	400mm (Stainless)	711-001F0040	Powerful 25w motor
SS-60	600mm (Stainless)	711-001F0060	
OS-20	200mm (Polymer)	711-021F0020	Special treated polymer disc
OS-25	250mm (Polymer)	711-021F0025	All disc diameter can be fitted to the same frame
OS-30	300mm (Polymer)	711-021F0030	



OS-Series  
Polymer Disc



**Heavy duty construction and built to last  
in extreme machine tool environments**



SS-60 Stainless Steel Oil Skimmer