

MC / SP
Coolant tank systems

MC-8 / SP-O
series



IP-54

IP-54
Certification



No. TW05/02449

ISO-9001
Certification



No. TW05/02449

CSA/UL
Certification

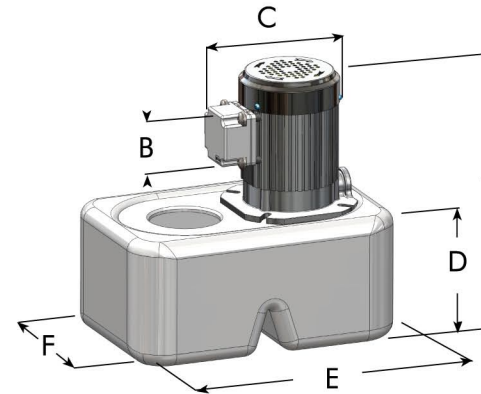


No. 208361

CE
Certification



No. EZ/2009/80002C-01



Features:

1. The coolant outlet is designed with a powerful magnetic seat, the free flushing direction offers maximum cooling effect.
2. All product series are ISO 9001 and CE certified.
3. CSA or UL certified pumps are available upon request.
4. All products feature compact, easy installation and storage, smooth running and long durability.

Unit : mm

Model No.	A	B	C	D	E	F	Tank capacity / liter	G.W.
MC-8P-13L-W	315	95	160	170	370	245	13 / White	6.42kg
MC-8P-13L-U	315	95	160	170	370	245	13 / Blue	6.42kg
MC-8P-17L-W	315	95	160	170	465	245	17 / White	6.52kg
SP-OP-13L-W	305	70	150	170	370	245	13 / White	3.34kg
SP-OP-13L-U	305	70	150	170	370	245	13 / Blue	3.34kg
SP-OP-17L-W	305	70	150	170	465	245	17 / White	3.49kg